

The History of Chocolate

The Americas

3000BC

Ecuador

Humans first consumed chocolate



1300- 1500

The Aztecs used chocolate as a drink



Aztec warriors and emperors drank chocolate



Important because beans were used as a currency



Colonial Times

1500s

Hernan Cortez brought cacao beans to Europe



1600s

Europeans added sugar



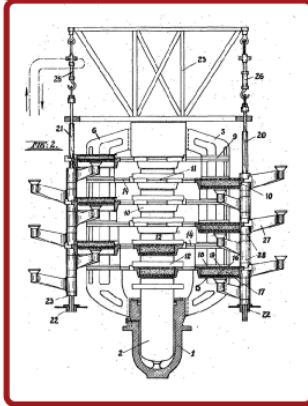
What information can you find out about the history of chocolate in The Americas (Aztecs, Mayans) and in Colonial Times?

The History of Chocolate

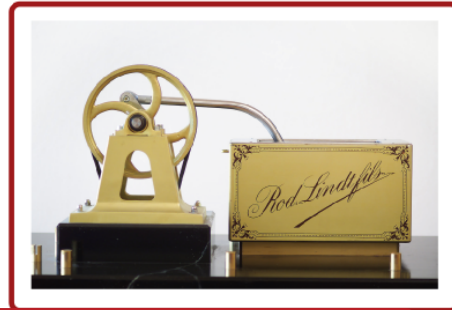
The Industrial Age

Holland

Conrad van Houten extracted cocoa butter from beans



1828



Switzerland

Rudolph Lindt invented a "conching" / mixing machine

1879

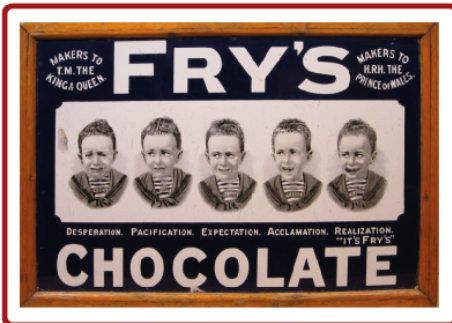
1875

1600s

1847

England

Joseph Fry sold the first chocolate bar



Switzerland

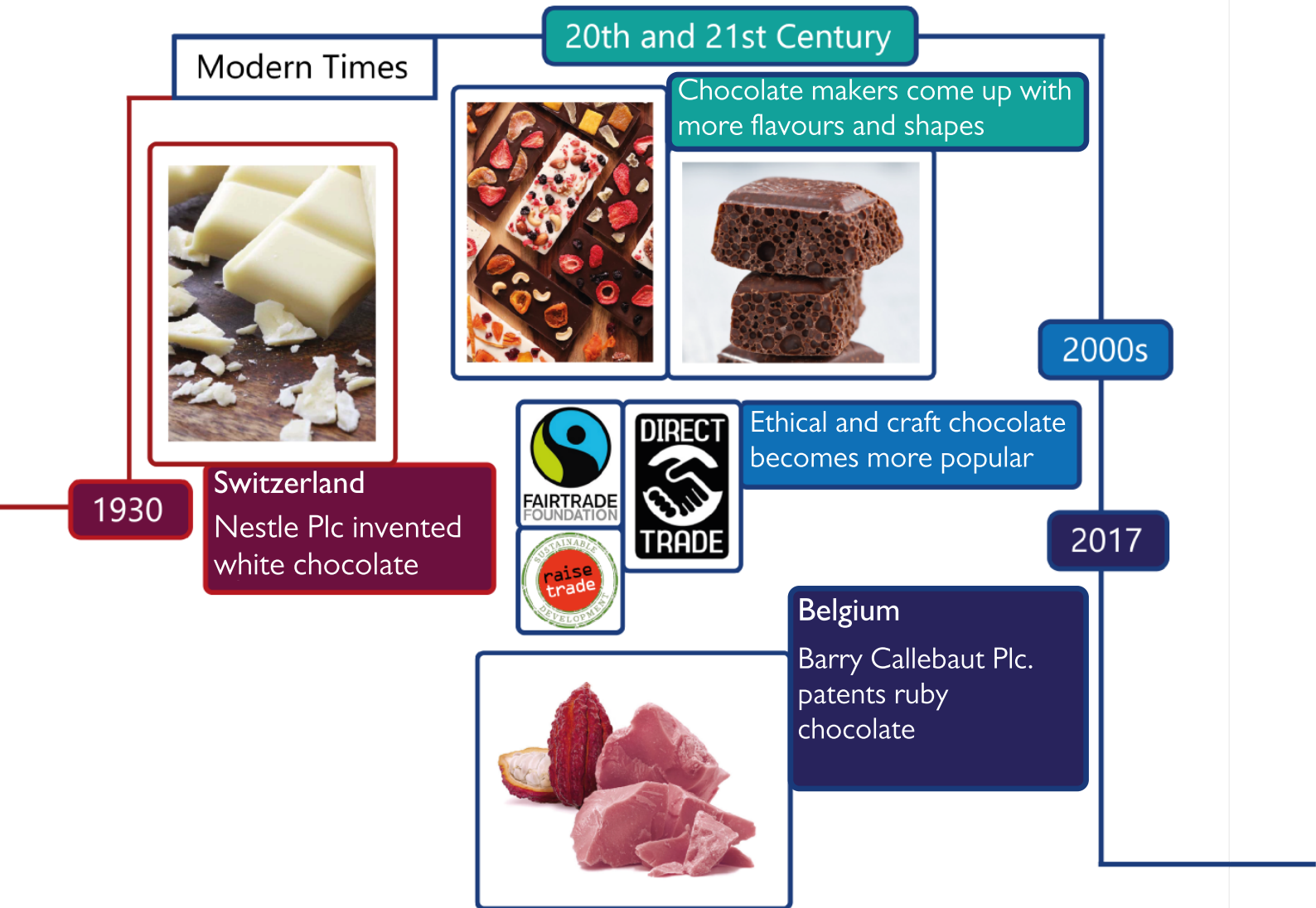
Henri Nestle invented powdered milk

Daniel Peter created the first milk chocolate bar



What information can you find out about the history of chocolate in the Industrial Age?

The History of Chocolate



What information can you find out about the history of chocolate in Modern Times?
